

The PSU 303 is a compact, split 'open' mains power supply unit designed primarily for OEM use. The linear regulator ICs used have over-current and over-temperature protection and offer 200mA @ +5V d.c. and 50mA @ -5V d.c. outputs.

- 200mA @ 5V d.c. and 50mA @ -5V d.c. Outputs
- Simple Screw-Terminal Connection
- Encapsulated Mains Transformer
- Positive and Negative Fixed Rails
- Compact, Low Profile Design



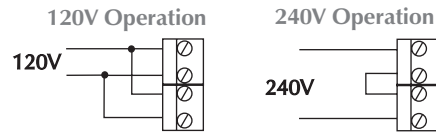
Standard Unit		Stock Number PSU 303		
Specification	Min.	Typ.	Max.	Unit
Load regulation			1	%
Line regulation			1	%
Ripple		0.5		mV
Operating temperature range	0		50	°C
Output				
Positive	V	5		V
	I		200	mA
Negative	V	-5		V
	I		-50	mA
Input (50-60Hz) - selectable		110	120	125
		215	240	245
				VAC

SAFETY

For safe operation, the unit must be installed in an enclosure which prevents accidental contact with hazardous voltages, by providing appropriate insulation or guarding. If the enclosure is made of a conducting material or the internal surfaces have a conductive coating, ensure that no part of the power supply will come into contact with it, and maintain an air gap clearance of minimum 10mm. The PSU 303 is short circuit proof but the mains lead to the unit must be fused with a 100mA fuse. In general, it is the responsibility of the user to ensure that the incorporation of the power supply unit into the OEM equipment conforms to the relevant sections of EN 60742, in accordance with the Low Voltage Directive (LVD 93/68/EEC). IF IN DOUBT CONTACT A LASCAR APPLICATIONS ENGINEER.

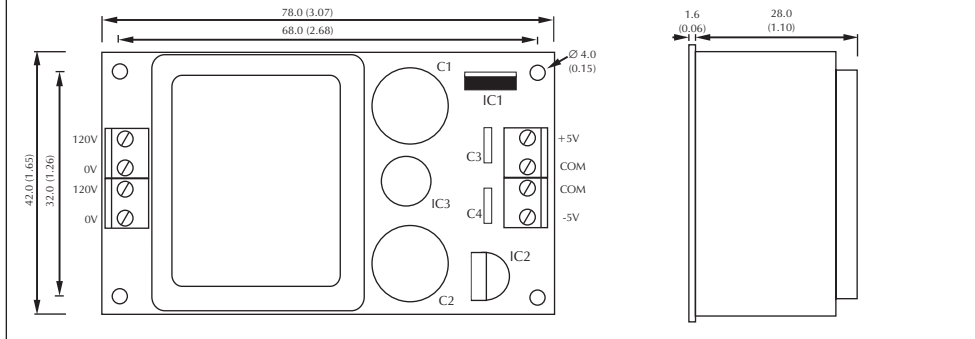
SELECTING MAINS INPUT VOLTAGE

The unit is normally supplied unconfigured. The unit can be used with 120 and 240V a.c. supplies. Follow the correct wiring diagram when using this power supply unit. Incorrect connection may damage the power supply unit.



IF IN DOUBT CONTACT A LASCAR APPLICATIONS ENGINEER.

DIMENSIONS All dimensions in mm (inches)



Specifications liable to change without prior warning PSU 303 Issue 2 August/2002 M.C. Applies to PSU 303/2

The PSU 303 is a compact, split 'open' mains power supply unit designed primarily for OEM use. The linear regulator ICs used have over-current and over-temperature protection and offer 200mA @ +5V d.c. and 50mA @ -5V d.c. outputs.

- 200mA @ 5V d.c. and 50mA @ -5V d.c. Outputs
- Simple Screw-Terminal Connection
- Encapsulated Mains Transformer
- Positive and Negative Fixed Rails
- Compact, Low Profile Design



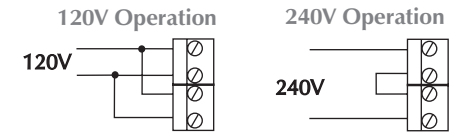
Standard Unit		Stock Number PSU 303		
Specification	Min.	Typ.	Max.	Unit
Load regulation			1	%
Line regulation			1	%
Ripple		0.5		mV
Operating temperature range	0		50	°C
Output				
Positive	V	5		V
	I		200	mA
Negative	V	-5		V
	I		-50	mA
Input (50-60Hz) - selectable		110	120	125
		215	240	245
				VAC

SAFETY

For safe operation, the unit must be installed in an enclosure which prevents accidental contact with hazardous voltages, by providing appropriate insulation or guarding. If the enclosure is made of a conducting material or the internal surfaces have a conductive coating, ensure that no part of the power supply will come into contact with it, and maintain an air gap clearance of minimum 10mm. The PSU 303 is short circuit proof but the mains lead to the unit must be fused with a 100mA fuse. In general, it is the responsibility of the user to ensure that the incorporation of the power supply unit into the OEM equipment conforms to the relevant sections of EN 60742, in accordance with the Low Voltage Directive (LVD 93/68/EEC). IF IN DOUBT CONTACT A LASCAR APPLICATIONS ENGINEER.

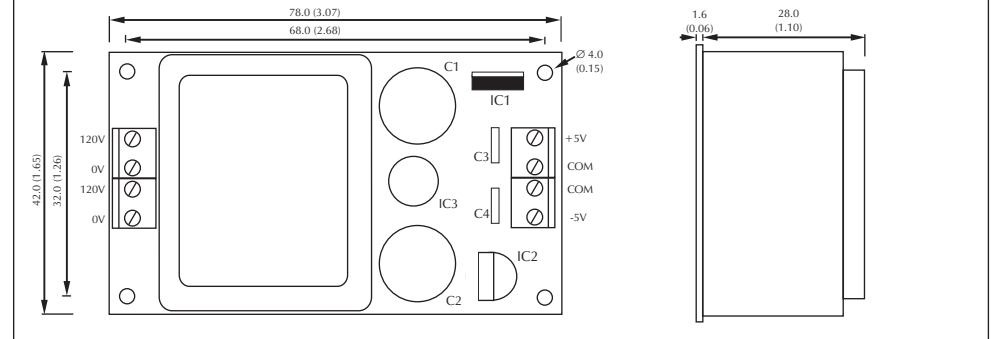
SELECTING MAINS INPUT VOLTAGE

The unit is normally supplied unconfigured. The unit can be used with 120 and 240V a.c. supplies. Follow the correct wiring diagram when using this power supply unit. Incorrect connection may damage the power supply unit.



IF IN DOUBT CONTACT A LASCAR APPLICATIONS ENGINEER.

DIMENSIONS All dimensions in mm (inches)



Specifications liable to change without prior warning PSU 303 Issue 2 August/2002 M.C. Applies to PSU 303/2