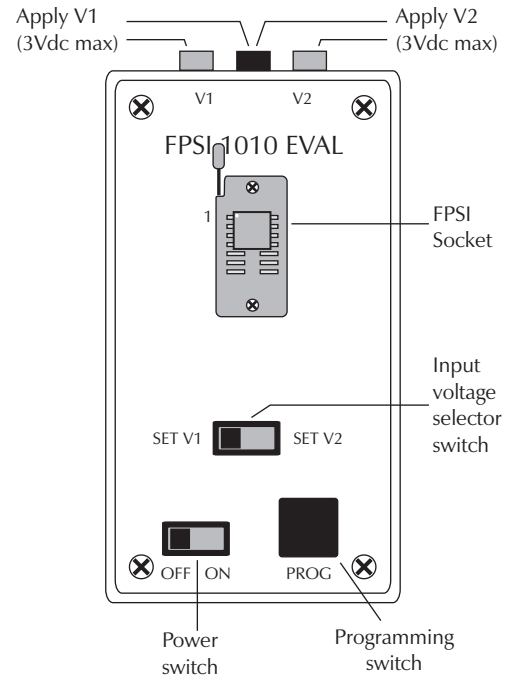


This unit allows you to program the 2 levels on the FPSI 1010. The unit is powered by an internal 9V (PP3) battery. A ZIF socket ensures easy insertion and extraction of the module to be programmed.

### FEATURES

- Compatible with FPSI 1010
- Battery Powered (internal 9V PP3)
- Easy to Set up and Use
- ZIF Socket



### OPERATING INSTRUCTIONS

- Ensure the Power switch is in the OFF position.
  - Ensure the lever on the FPSI socket is vertical.
  - Slide the input voltage selector switch to SET V1.
- Plug the FPSI module into the topmost section of the FPSI 1010 PROG socket, with the white dot on the left hand side of the FPSI module.
  - Push the lever on the FPSI socket forwards until it is horizontal.
  - Slide the Power switch to the ON position.
- Apply the level 1 voltage to the red and black V1 sockets (see drawing).
  - Press the PROG switch once.
  - The FPSI module flashes Green to indicate that the V1 level has been stored.
- Apply the level 2 voltage to the red and black V2 sockets (see drawing).
  - Slide the input voltage selector switch to SET V2.
  - Press the PROG switch once.
  - The FPSI module flashes Red to indicate that the V2 level has been stored.
- To enter solid LED mode, make sure V2 does not change, then press the PROG switch once.
  - To enter flashing LED mode, change V2 by 100mV or more, then press the PROG switch once.
  - The module flashes red or green to indicate that the display mode has been stored.
- Slide the Power switch to the OFF position.
  - Pull the lever on the FPSI socket upwards and backwards until it is vertical.
  - Remove the FPSI module.

The FPSI module is now ready for use.

### SAFETY

To comply with the Low Voltage Directive (LVD 93/68/EEC), input voltages to the module's pins must not exceed 60Vdc. The user must ensure that the incorporation of the panel meter into the user's equipment conforms to the relevant sections of BS EN 61010 (Safety Requirements for Electrical Equipment for Measuring, Control and Laboratory Use).

### ORDERING INFORMATION

	Stock Number
Voltage Level Indicator	FPSI 1010
Programming Unit	FPSI 1010 PROG